



Available in
IP69K version

IP69K
LCIE : 115532-630480

The **i 20** indicator benefits from PRECIA MOLEN's experience, expertise and research in designing an accurate, basic and ergonomic product for industrial use.

The i20 has the following distinctive features:

- ▼ Design and styling for industrial use (robustness, high IP rating and easy to clean).
- ▼ Ease of use.
- ▼ For connection to one or more load cells. Available in tabletop, wall, column or panel mounting versions.
- ▼ High quality construction in Grade 304L stainless steel.
- ▼ Latest technology including FSC (Field Sequential Colour) - LCD (Liquid Crystal Display) and non-polluting high capacity batter LiFePO4.

Functions

- Single weighing
- Parts counting
- Tolerance check +/-
- Formulation
- Calculation

Setting

The indicator's metrological and functional settings can be made:

- Via the indicator's front panel;
- With a PC and a simple Internet browser.

Parameter backup/restore via optional iSD card or PC.

Certification

- Metrology: Test certificate issued by a notified body in accordance with Directive 2009/23/CE for Non-Automatic Weighing Instruments.
- Electromagnetic Compatibility: Complies with the requirements of Directive 2004/108/CE.
- Low Voltage: Complies with the requirements of Directive 2006/95/CE.

Housing

- Protection rating IP 66
- 304L stamped stainless steel construction.
- Includes a universal bracket for tabletop, wall or column installation.

Display



- √ Weighing
- √ Calculation menu



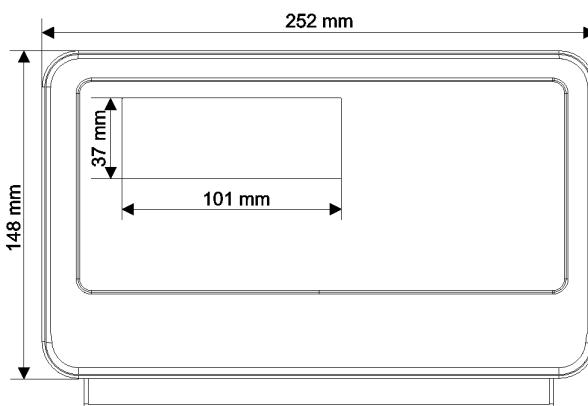
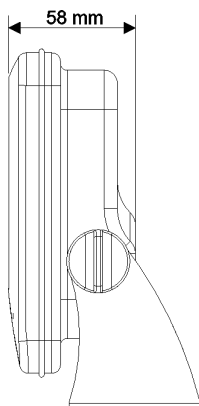
- √ Parts counting
- √ Tolerance check +/-

- New colour FSC-LCD technology.
- Weight display: 7 x 25mm high characters.
- Additional Information: 10 x 8mm high characters.
- Secondary units: 3 characters

Keyboard

- Touch control keys.

Technical characteristics



Power supply

Two modes of external power supply jumper selectable:

- AC 90/230 V
50/60 Hz
- DC 9/30 V

Maximum power consumption 14 W

▼ Internal battery power (option)

Operational duration evaluated with a single load cell weighing infrastructure:

- No backlighting 48 h
- Minimum backlighting 30 h
- Average backlighting 22 h
- Maximum backlighting 16 h

Charging time

- From 0 to 100 % 8 h
- From 80 to 100 % 4 h

Environment

▼ Temperature range

- Operating - 15 °C / + 60° C*
- Storage - 20 °C / + 65 °C

* - 10 °C / + 40 °C in trade use.

Metrology

	ML	HML
• Class.....	III	-
• Division (µV).....	0.5	-
• Single range.....	6000	30000
• Dual range.....	2 x 6000	-

▼ Load cells

• Power supply.....	5 V
• R _{Min}	43 Ω
• R _{Max}	1245 Ω

Communication

▼ RS 232 link




- Printer
- Reference scale for parts counting
- Remote weight display

Accessories supplied

- AC power cord (3m long)

- Universal bracket
- Dust cover

Options

Battery	Data backup	Communication	Logical Inputs/Outputs	Installation kits
▼ Internal battery and plug-in power cable (3m long) 	▼ Storing on iSD card <ul style="list-style-type: none"> • DSD memory 300,000 records for trade use • Parameter and file storage 	▼ USB for PC connection ▼ 2nd RS 232 / RS 485 link ▼ Ethernet	▼ Input/output interface (with galvanic isolation) Input <ul style="list-style-type: none"> • 2 channels..8 to 30 V DC Output <ul style="list-style-type: none"> • 4 channels..48 V / 100 mA 	▼ On platform  ▼ Panel mounting <ul style="list-style-type: none"> • Cut out: 252 x 148 mm • Thickness: 10 mm max.

Your specialist

Non contractual illustrations. Precia-Molen reserves the right to alter the characteristics of the equipment described in this brochure at any time.

Head Office & Factory PRECIA-MOLEN
 BP 106 - 07000 Privas - France
 Tel. 33 (0) 475 664 600
 Fax 33 (0) 475 664 330
 E-MAIL webmaster@preciamolen.com

RCS: 386 620 165 RCS Aubenas

